

## Fully Rugged 15.6" Laptop

- 15.6" FHD 1920\*1080 display
- sunlight readable
- Intel Core i7-4700EQ 2.4GHz  
/i5-4410E 2.9GHz processor
- Built-in NVIDIA® GTX950M video card
- Meet MIL-STD-810G, MIL-STD-461F and IP65
- 4G/WLAN/Bluetooth/GPS/Fingerprint/Webcam
- Lot of LAN/USB/COM/Display Card slot



### Specifications

<b>CPU</b>	Intel® Core™ i5-4410E 2.9GHz dual-core 4 threads Intel® Core™ i7-4700EQ 2.4GHz Quad-core 8 threads
<b>Chipset</b>	Intel® QM87
<b>Memory</b>	Onboard 4GB DDR3L memory, expandable up to 12GB
<b>Display screen</b>	15.6" sunlight-readable screen, resolution 1920 x 1080
<b>Display card</b>	Support Intel HD Graphics 4600 integrated display technology Support expansion of NVIDIA GTX950M 2G GDDR5 video card
<b>Storage</b>	1 x 2.5" SATA interface laptop HDD, optional encryption 1 x mSATA expandable to the second storage
<b>IO port</b>	1 x VGA port 1 x HDMI port 2 x RJ-45 LAN port 2 x USB3.0 port 2 x USB2.0 port 2 x serial port(support RS-232/422/485 switched by BIOS, default RS-232) 1 x Line Out audio output port 1 x Mic-In audio input port 1 x DVD optical drive bay
<b>Expansion card slot</b>	1 x Smart Card slot 1 x Express Card slot 1 x SD Card reader slot 1 x SIM Card slot

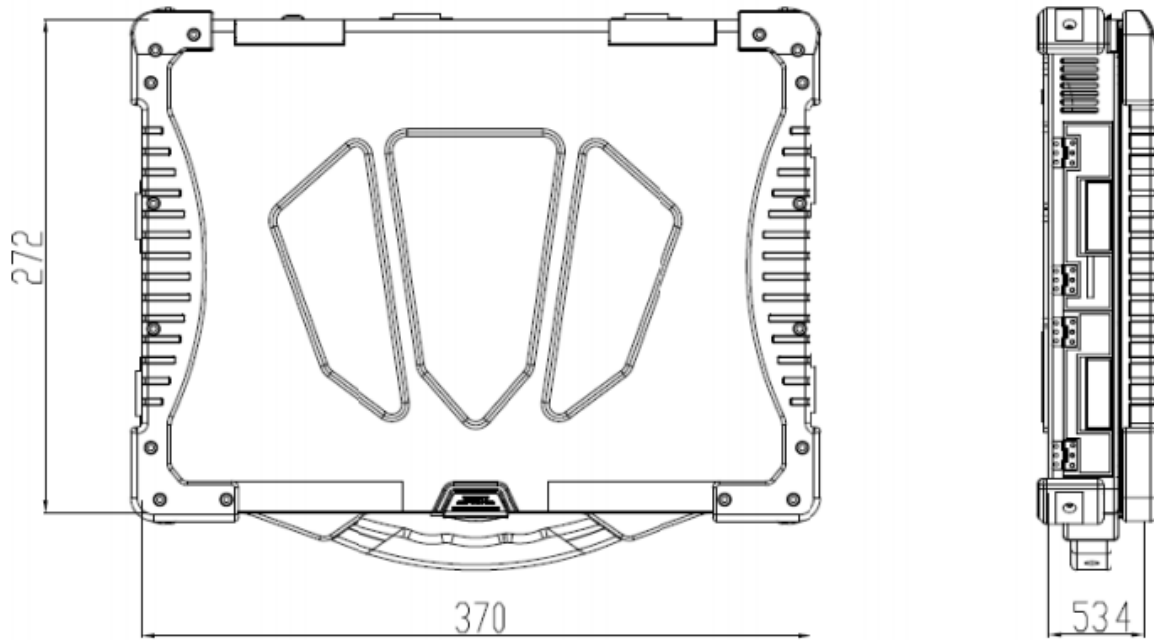
<b>Multi-function expansion slot</b>	<p>The optical drive bay can be expanded to one of the following options:</p> <ul style="list-style-type: none"> <li>● 2 x COM port;</li> <li>● optical drive or a second HDD module;</li> <li>● PCI-E x1 device;</li> <li>● USB port or USB function device;</li> <li>● Support expansion port on the bottom, docking station can be attached</li> </ul>
<b>Keyboard</b>	Special plastic keyboard for laptop computer, with left/right-key touch pad mouse optional silicon keyboard (with blue backlight)
<b>Audio and video</b>	High-definition audio processor 2 x built-in speaker 1 x built-in microphone
<b>Web Camera</b>	2.0 MP
<b>Communication</b>	WLAN: 802.11a/g/n (or 4G) LAN: 10/100/1000M PAN: Bluetooth 4.0 Class I + EDR WWAN: supports 4G (or WLAN) Satellite positioning: GPS (optional)
<b>Safety</b>	TPM optional Administrator password, login password Smart card reader Finger print identification Anti-theft pin hole
<b>Power adapter</b>	AC power adapter : input AC100~240V, output DC19V@180W DC power adapter: input DC9~32V, output DC19V (optional)
<b>Battery</b>	8400mAH intelligent Li-ion battery, expandable to 2nd Battery Pack( 5000mAH)
<b>Heat dissipation</b>	Waterproof Fan design, heat dissipation by sealed metal chassis
<b>Dimensions</b>	370mm(W)×53.4mm(H)×272mm(D)
<b>Weight</b>	JNB-1502 (P/N:0010-088091) : ≤5.5kg JNB-1502-01 (P/N: 0010-091661): ≤5.0kg

## Reliability

<b>Environment parameters</b>	<p>Operating temperature: -20~55°C (power adapter supply, wide temperature storage); - 0~50°C (power adapter supply, normal storage) 0~50°C (battery supply)</p> <p>Storage temperature: -40~70°C Humidity: 5%~95%, non-condensing</p>
<b>Shock</b>	<p>Meets MIL-STD-810G/GJB367A-2001/GJB322A-98/GJB150A</p> <p>Power-on status: Half Sine wave, 15G, 11ms Power-off status: Half Sine wave, 50G, 11ms</p>
<b>Vibration</b>	<p>Meets GJB367A-2001/GJB322A-98 sine vibration test</p> <p>Power-on status: X/Y/Z three-axis, 5Hz-200Hz/1.0g (optional 1.5g) Power-off status: X/Y/Z three-axis, frequency 10~23Hz, acceleration 1.0G Frequency 23~52Hz, amplitude 0.44mm Frequency 52~2000Hz, acceleration 5G</p>

	Meets GJB150A/MIL-STD-810G random vibration test Power-on status: X/Y/Z three-axis, 5-500Hz, 1.90 Grms Power-off status: X/Y/Z three-axis, 20-2000Hz, 7.70 Grms
<b>Drop</b>	Meets MIL-STD-810G/GJB367A-2001/GJB322A-98/GJB150A 4-feet (121cm) free fall
<b>Protection grade</b>	Meets MIL-STD-810G/GJB367A-2001/GJB322A-98/GJB150A IP65
<b>EMC</b>	Meets MIL-STD-461F/GJB-151A land force five-item/ test requirements

### Dimension



### Ordering Information

Part Number	Model Number	Description
0010-088091	JNB-1502	Intel Core <b>i5-4410E</b> 2.9GHz/Onboard 4GB DDR3L/128G wide temperature SSD/15.6 sunlight readable screen/ <b>NVIDIA GTX950M</b> /DVD-RW/WLAN/Bluetooth/Fingerprint identification/ <b>2.0MP Webcam</b> /8400mAh main battery/Plastic keyboard/Military adaptor
0010-091661	JNB-1502-01	Intel Core <b>i7-4700EQ</b> 2.4GHz/Onboard 4GB DDR3L/128GB wide temperature SSD/15.6 sunlight readable screen/DVD-RW/WLAN/Bluetooth/Fingerprint identification/8400mAh main battery/Plastic keyboard/Military adaptor