

7.85" Rugged IoT Handheld Device with Quad-core Processor



Features

- Fully rugged for warehousing / transportation / medical / mPOS applications
- MIL-STD-810G & IP-65 certified, 1.2m (4ft.) drop resistance
- 7.85" TFT color LCD 1024 x 768 XGA resolution
- Projected capacitive multi-touch panel with anti-reflection Corning® Gorilla® Glass 3
- High mobility with multiple connectivities including WLAN, Bluetooth and WWAN
- Built-in 1D barcode reader or 1D/2D barcode imager
- Customer replaceable battery with optimized battery life up to 10 hours
- Wireless charge supported
- G-sensor, gyroscope, light sensor, E-compass, GPS navigation & barometer
- System access control via RFID & NFC reader

Durability Features

MIL-STD-810G & IP-65 certified
 1.2m (4ft.) drop-resistance
 Raised bezel for LCD impact protection
 I/O ports with hinged rubber covers

System

CPU MTK MT8382 Quad-core Cortex™A7 1.3GHz CPU
 PowerVR™ Series5XT GPU
 OS Android™ v4.4
 Memory 1GB
 Storage 8GB
 Audio Integrated microphone
 Integrated speaker
 1 x 3.5mm stereo headphone jack

Peripherals and Devices

Camera Front: 2.0 MP camera
 Rear: 12.6 MP AF camera with LED
 Sensor Accelerometer (G-sensor)
 3-axis digital gyroscope
 Barometer
 Light Sensor Ambient light sensor
 NFC ISO/IEC 21481 Type A, Type B, Felica
 WLAN Integrated IEEE 802.11 b/g/n
 Wi-Fi certified Miracast™
 Bluetooth Integrated Bluetooth 4.0 LE + EDR class 2, with HID input, A2DP, DUN, HFP, SPP & PBAP supported
 WWAN WCDMA UMTS 850/900/1900/2100M
 Navigation GPS, AGPS & digital compass
 Barcode Scanner 1D or 1D/2D barcode scanner, either with physical trigger button

I/O Interface

USB Port 1 x Micro USB 2.0 port
 SD Slot 1 x microSD card slot (up to 32G)
 SIM Socket 2 x SIM card slots
 HDMI 1 x Mini HDMI port
 Expansion microSDHC

LCD Display

Size/Type 7.85" TFT LCD
 Resolution 1024 x 768

Touch Screen

Type 5-point Projected Capacitive Touch screen
 Corning® Gorilla® Glass 3 coating w/ anti-reflection coating

Power Supply

Power System External AC power adapter
 Lithium-ion rechargeable battery
 Battery Type Customer replaceable (for maintenance)
 Wirelessly rechargeable (only works with ARBOR wireless cradle and docking)
 Battery Capacity 3.7V, 6200mAh, 22.94Wh
 Up to 10 hours battery life with the following operations:
 1. Continuous audio playback of 160-Kbps encoded MP3 files
 2. Internet browsing by Wi-Fi while:
 a. Browsing snapshot versions of 20 separate web pages
 b. Using hourly push-email
 Continuous video playback for 8 hours
 Adapter Input Input: AC100~240C, 50~60 Hz
 Adapter Output DC power output: 5V/1.5A

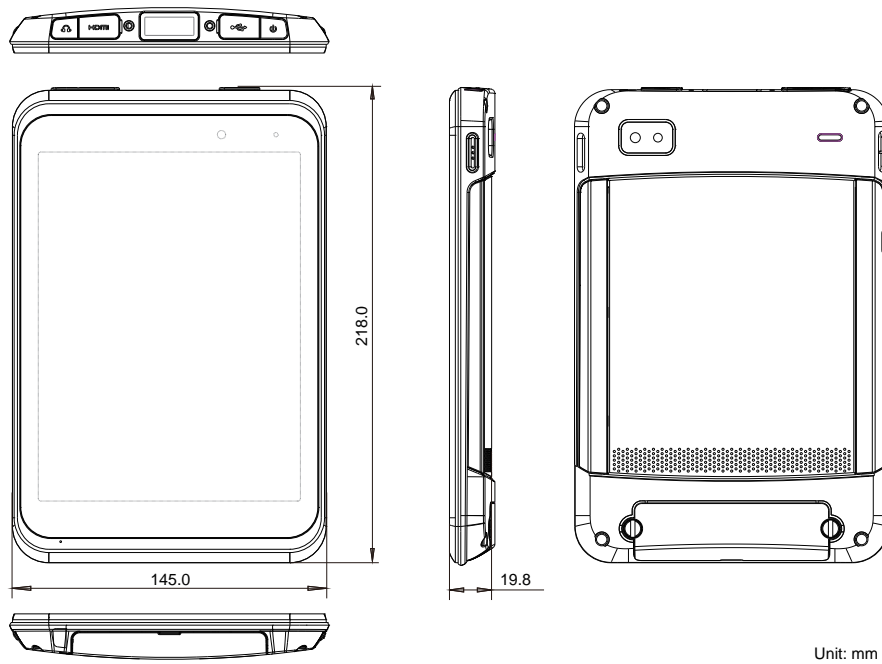
Mechanical & Environmental

Operating Temp. -10°C ~ 50°C (14°F ~ 122°F)
 Storage Temp. -20°C ~ 60°C (-4°F ~ 140°F)
 Operating Humidity 95% (non-condensing)
 Dimensions 145.0 x 218.0 x 19.8 mm
 (W x H x D) (5.71" x 8.58" x 0.78")
 Weight 550g (1.22lb) (with battery)





Ordering Information

G751B 7.85" Android™ Rugged IoT Handheld Device with Quad-core Processor, Front & Rear Camera and 1D Barcode Scanner
 G752B 7.85" Android™ Rugged IoT Handheld Device with Quad-core Processor, Front & Rear Camera and 1D/2D Barcode Scanner


Dimensions



Standard Accessories

Universal power adapter	
Rechargeable Li-ion battery pack	
Earphone	
User Manual	

Optional Accessories

D.Dock-G8	Desktop cradle w/ wireless charger	
V.Dock-G8	In-vehicle docking w/ wireless charger	